

FAMOC
Furniture

SIGMA



SIGMA

Sigma desks is a lighter and cleaner reinterpretation designed to enhance a better working environment.

It adds various possibilities in the design of a space. These product consist of minimal elements that helps the area feel wider, with a sophisticated and slight design resulting in a practical and lineal workstation that improves productivity.



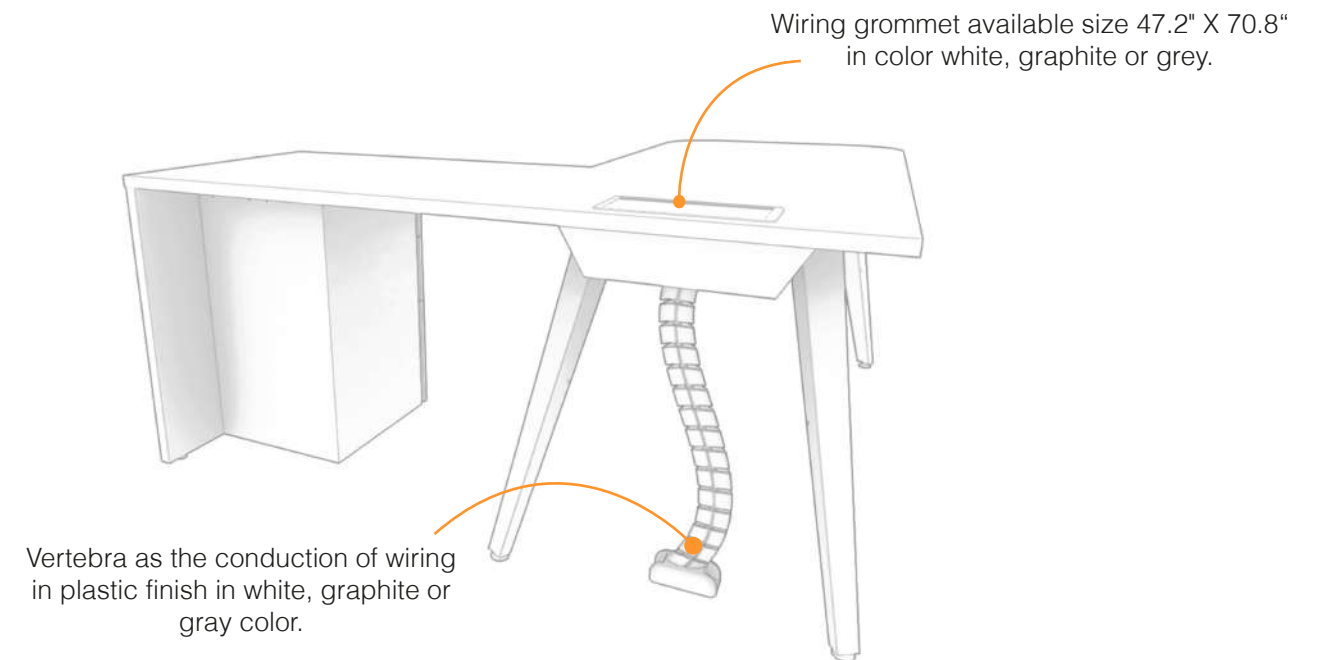




MANAGER DESK

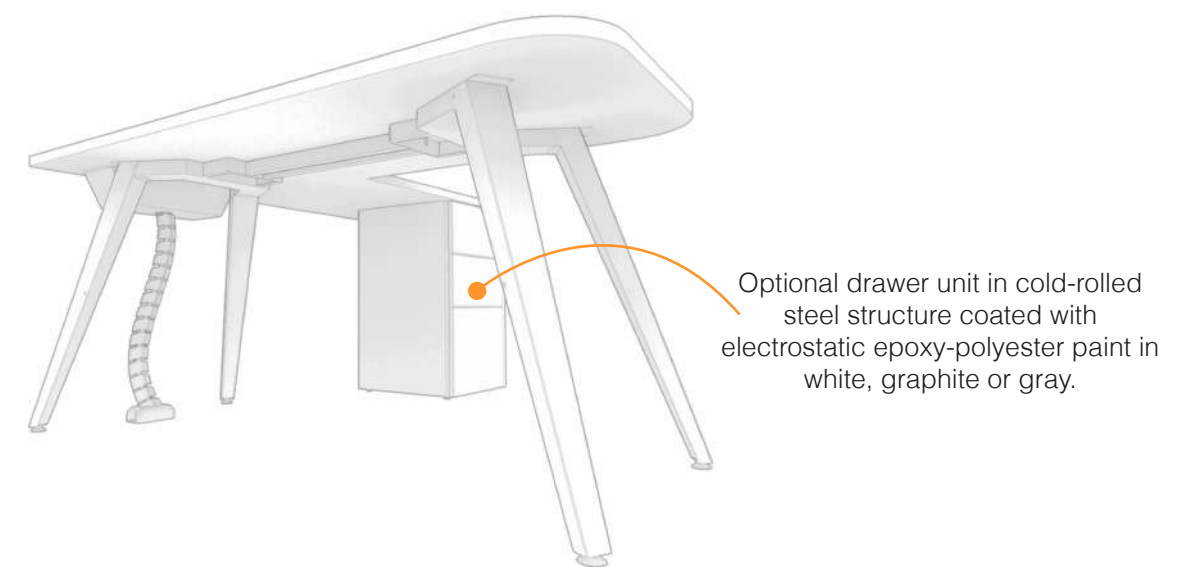
The rounded edges of the surface appear to give a more organic and natural look. The use of fewer elements results in a minimalist design crafted seamlessly.

Besides the light appearance, the diagonals add a significant change to the design of the workstation. Those lines break the traditional orthogonal lines in an office.



As a natural response to the Workstation, Famoc incorporated the vertebra at the center of the table, worthy of an organic and flexible movement so the people can determine the orientation of their conduction element.

Setup desk with the main surface of 59" x 27.5" and an additional 23.6" x 35.4". The surface provides a wiring grommet and locked three-drawer storage.



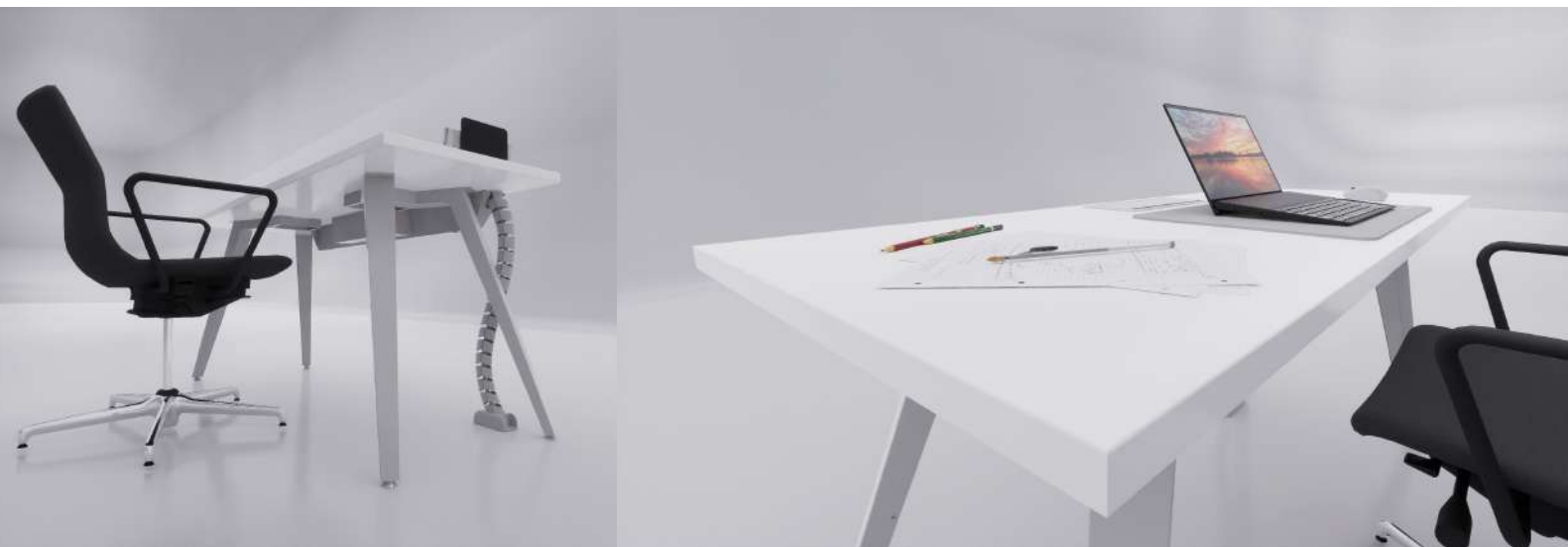
The structural pieces, such as the wiring conduction elements, are made of cold-rolled steel coated with electrostatic epoxy-polyester paint. Work surfaces in a wood particle board coated with decorative laminate with PVC edges stuck with hot melt glue.



SINGLE DESK



A gathering of functionality and design, this Single desk provides a clean work area for a static or flexible space.



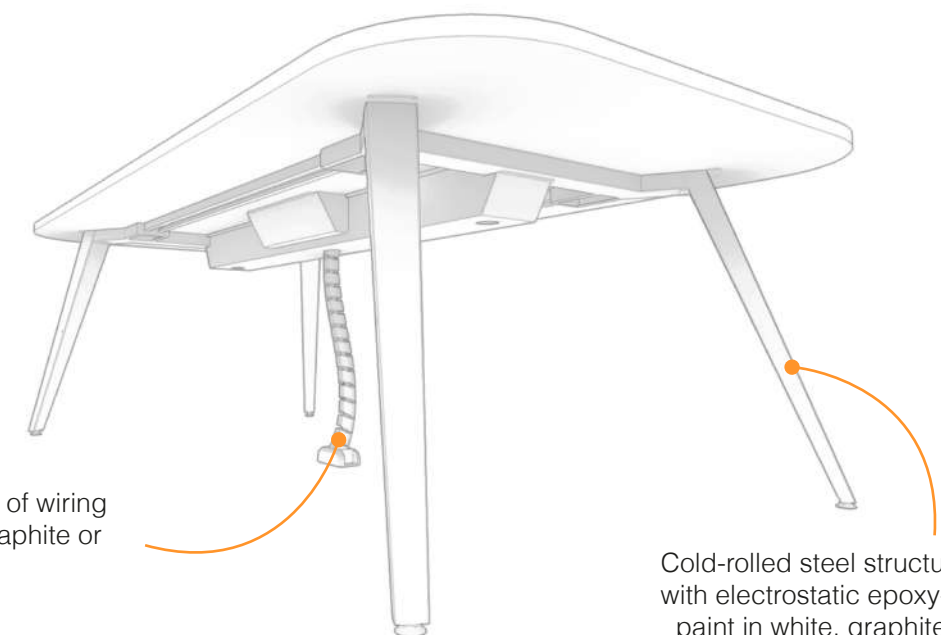
Besides the light appearance, the diagonals add a significant change to the design of the workstation. Those lines break the traditional orthogonal lines in an office.

As a natural response to the Workstation, Famoc incorporated the vertebra at the center of the table, worthy of an organic and flexible movement so the people can determine the orientation of their conduction element.
Single desk 59" X 23.6" provides a wiring grommet.



Wiring grommet available size
47.2" X 70.8" in color white,
graphite or grey.

The structural pieces, such as the wiring conduction elements, are made of cold-rolled steel coated with electrostatic epoxy-polyester paint.
Work surfaces in a wood particle board coated with decorative laminate with PVC edges stuck with hot melt glue.

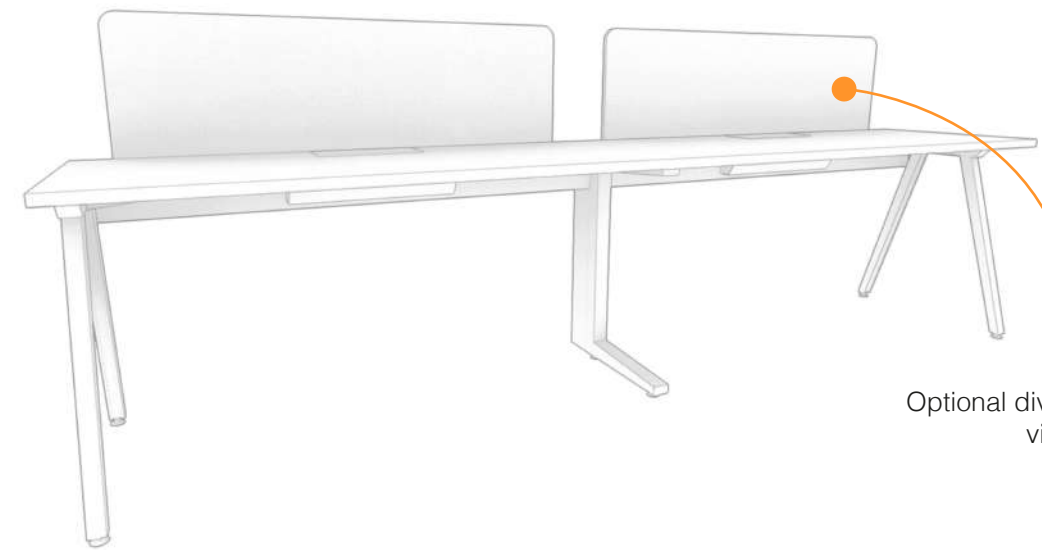


Vertebra as the conduction of wiring
in plastic finish in white, graphite or
gray color.

Cold-rolled steel structure coated
with electrostatic epoxy-polyester
paint in white, graphite or gray.



ALIGNED DESKS



Optional divider screen in ivory vinyl finish.

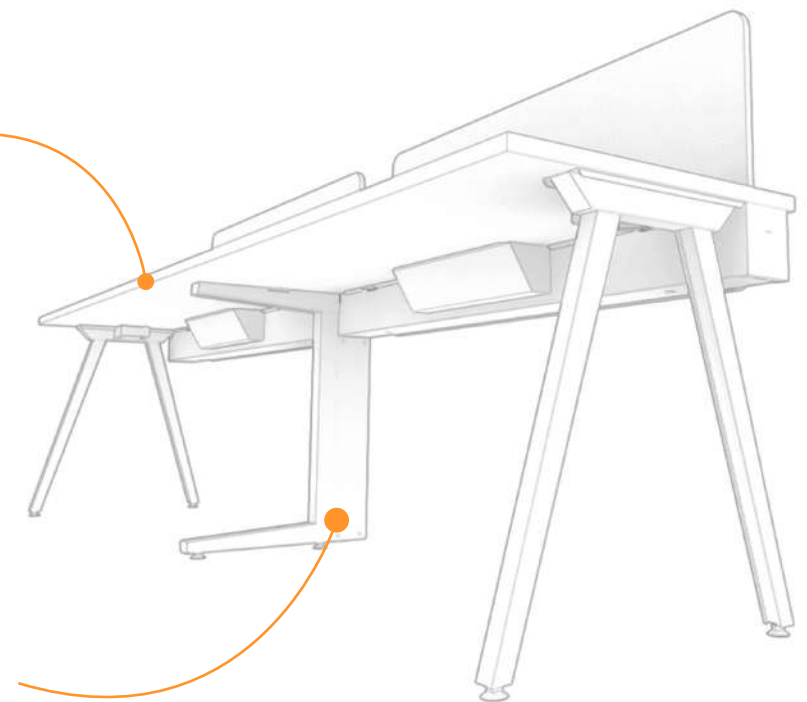
The structural pieces, such as the wiring conduction elements, are made of cold-rolled steel coated with very resistant electrostatic epoxy-polyester paint.

Besides the light appearance, the diagonals add a significant change to the design of the workstation. Those lines break the traditional orthogonal lines in office furniture design.



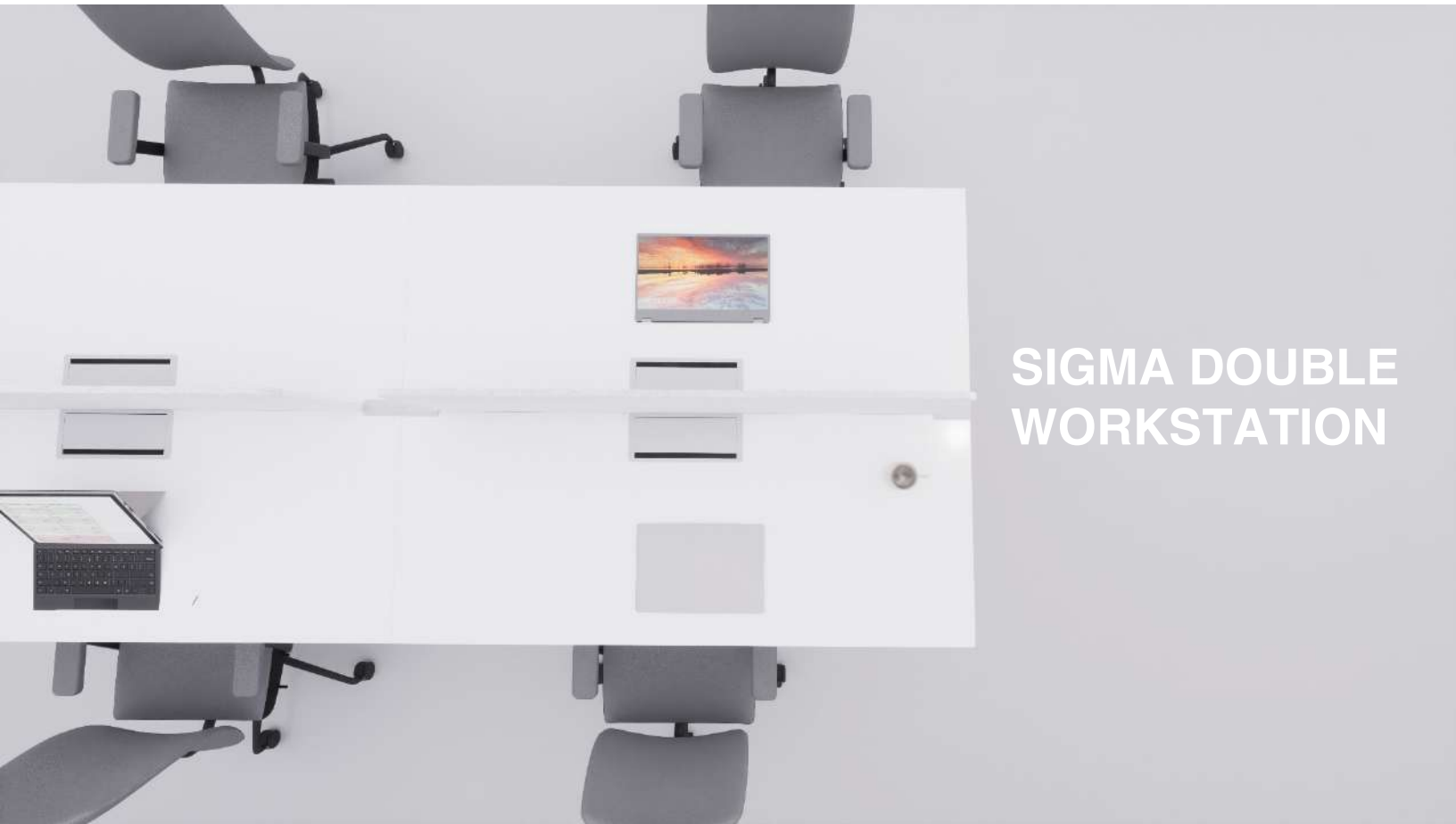
Our aligned workstations, from two to up to six users, are equipped with wiring grommets (desk partition not included).

Work surfaces in a wood particle board coated with decorative laminate with PVC edges stuck with hot melt glue in color white, light wood or dark wood.



The structural pieces, such as the wiring conduction elements, are made of cold-rolled steel coated with electrostatic epoxy-polyester paint in color white, graphite or grey.



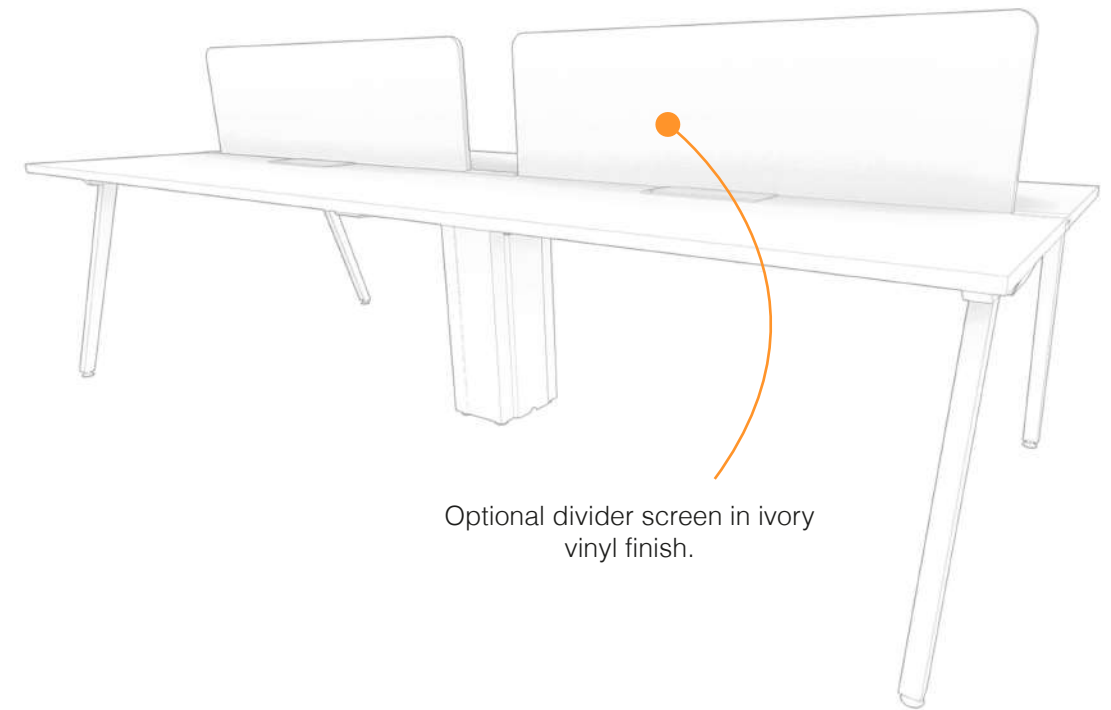


SIGMA DOUBLE WORKSTATION

Besides the light appearance, the diagonals add a significant change to the design of the workstation. Those lines break the traditional orthogonal lines in an office.



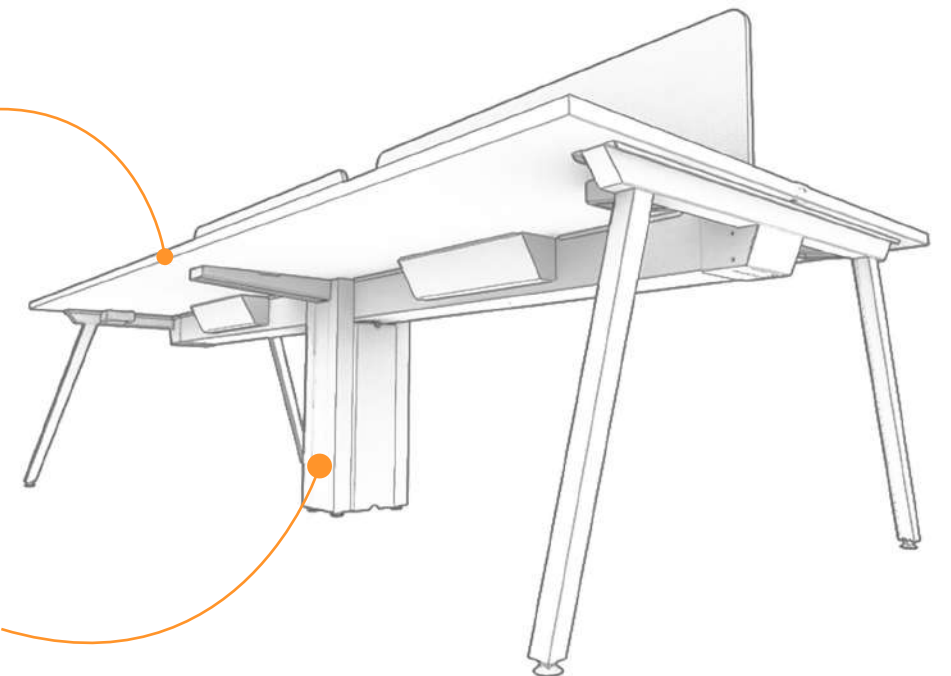
Double workstation from two up to six users, equipped with wiring grommet (desk partition not included).



Optional divider screen in ivory vinyl finish.

The structural pieces, such as the wiring conduction elements, are made of cold-rolled steel coated with electrostatic epoxy-polyester paint.

Work surfaces in a wood particle board coated with decorative laminate with PVC edges stuck with hot melt glue in color white, light wood or dark wood.



The structural pieces, such as the wiring conduction elements, are made of cold-rolled steel coated with electrostatic epoxy-polyester paint in color white, graphite or grey.



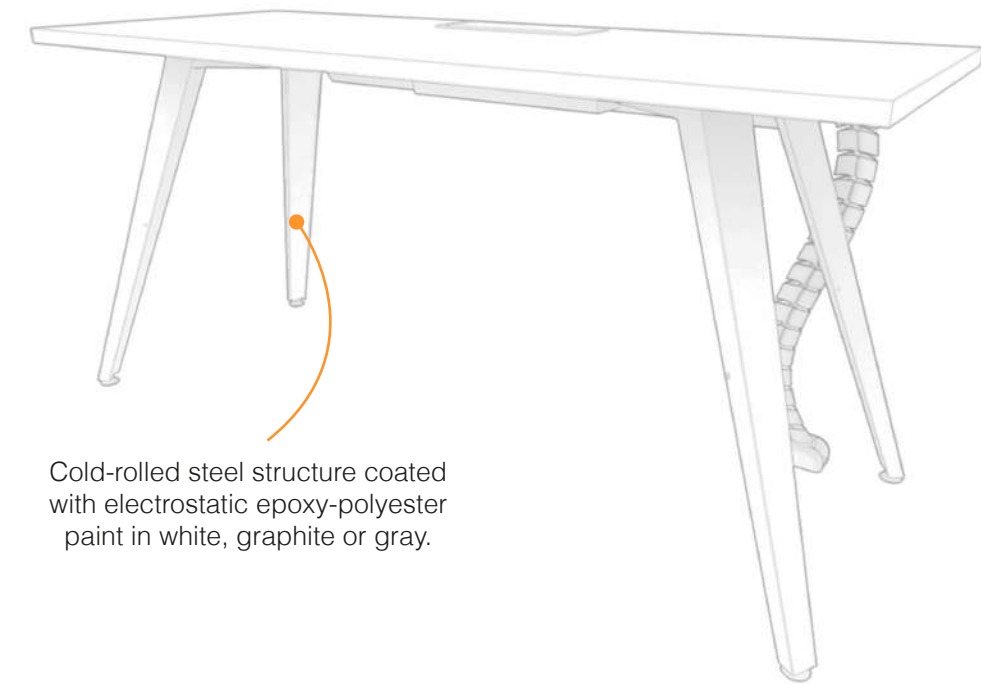
CONFERENCE TABLE V1 - V2



The rounded edges of the surface appear to give a more organic and natural look. The use of fewer elements results in a minimalist design crafted seamlessly.



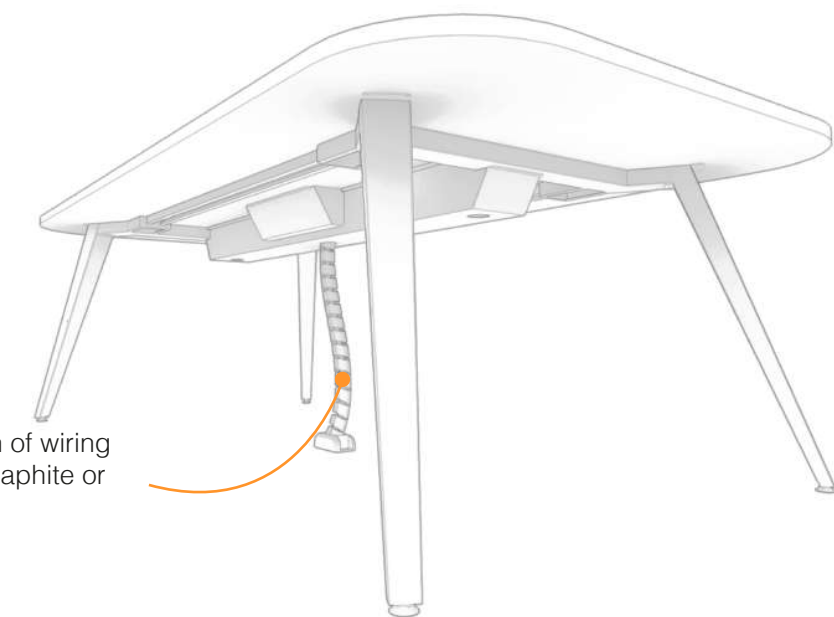
As a natural response to the Workstation, Famoc incorporated the vertebra at the center of the table, worthy of an organic and flexible movement so the people can determine the orientation of their conduction element.



Cold-rolled steel structure coated with electrostatic epoxy-polyester paint in white, graphite or gray.

The organic aspect aims to improve community meetings so that people can perceive the meeting in a friendly way.

Conference table with wiring grommet available size 47.2" X 70.8" or 47.2" X 94.4".



Vertebra as the conduction of wiring in plastic finish in white, graphite or gray color.

The structural pieces, such as the wiring conduction elements, are made of cold-rolled steel coated with electrostatic epoxy-polyester paint.

Contact

175 Southwest 7th Street,
Suite 1705 Miami, FL 33130
Tel. +1 (305) 464-0764



FAMOC
Furniture

SIGMA